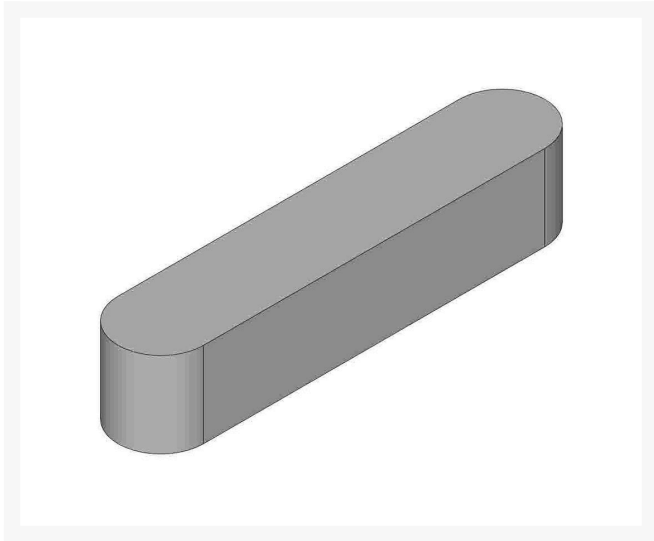




Key - 1/4 x 1/4 x 1-1/4

RET11301



Replaces

John Deere ET11301

Specifications

Manufacturer R&R Products

Fits Models

- John Deere Gang Mower
- John Deere 303 Hydraulic Gang Mower
- John Deere 305 Hydraulic Gang Mower
- John Deere 3325 Hydraulic Gang Mower
- John Deere 3365 Hydraulic Gang Mower
- John Deere 365 Hydraulic Gang Mower

Gritmaster

309 Percy Osborn Road Morningside, 4001
0313035785

<https://gritmaster.rrproducts.com/>