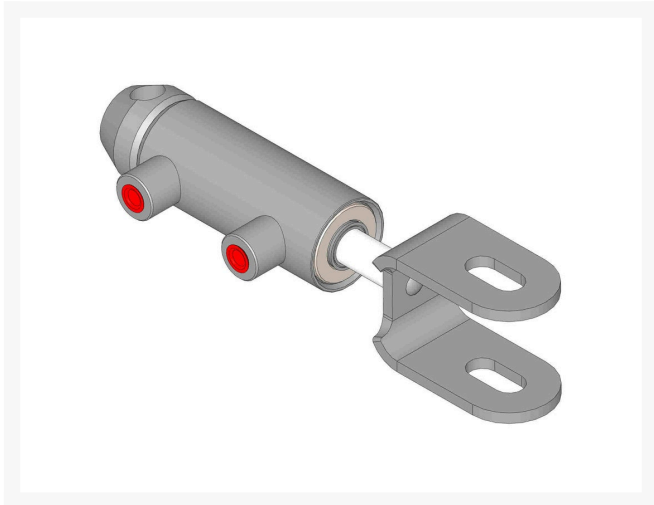




Hydraulic Cylinder - Center Lift

RAMT2493



Replaces

John Deere	AMT2493, TCA14441
R&R Products	RTCA14441

Specifications

Manufacturer	R&R Products
--------------	--------------

Fits Models

John Deere 2500 Riding Greens Mower
John Deere 2500A Riding Greens Mower
John Deere 2500E Riding Greens Mower

Replacement Parts

RAMT2567	Seal Kit - Fits Hyd Cylinder
RMT6035	Orifice - Front .026 Rear Lift Cyl
RMT6036	Orifice - Rear .031 Rear Lift Cyl

Gritmaster

309 Percy Osborn Road Morningside, 4001
0313035785

<https://gritmaster.rrproducts.com/>