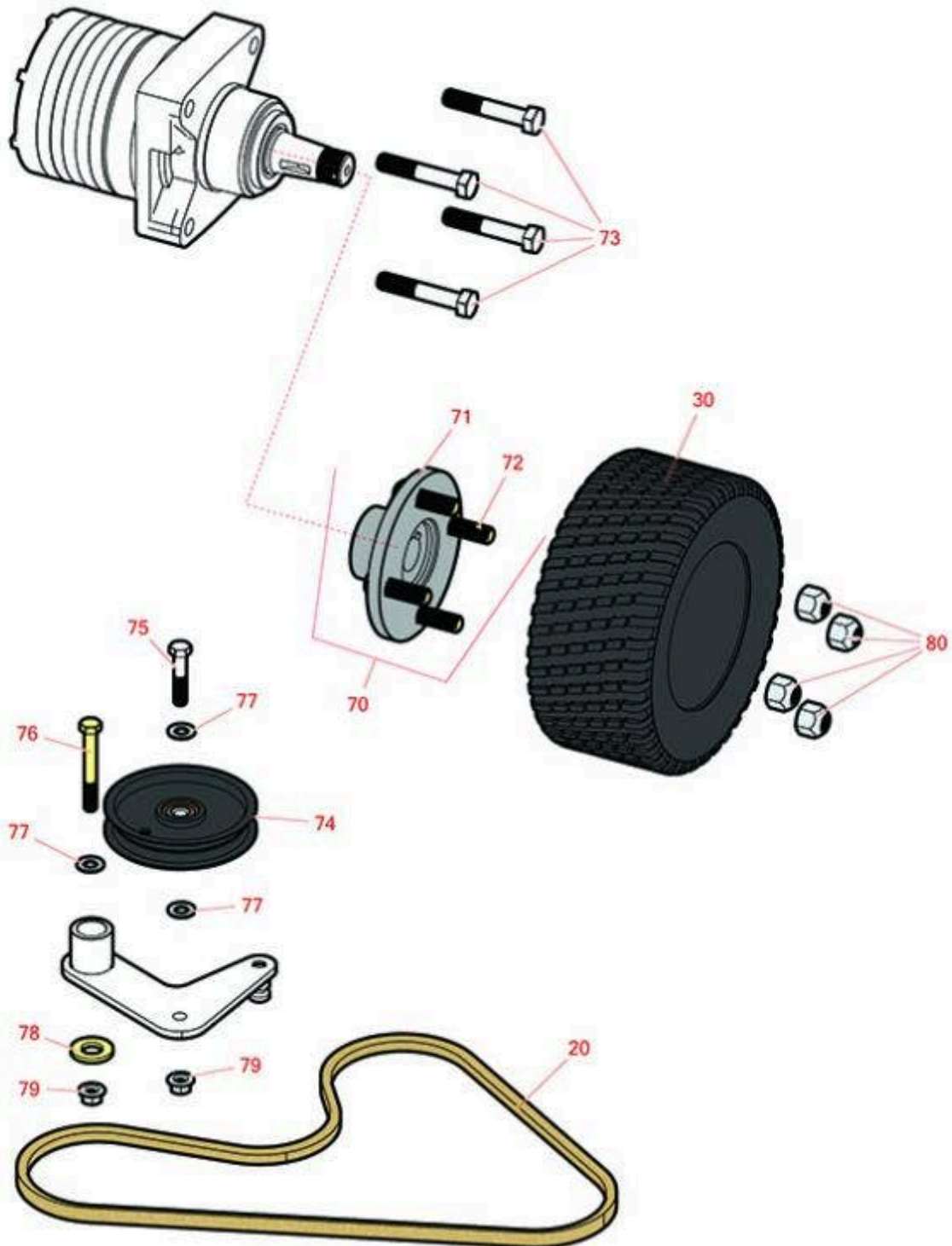




# Replaces Exmark Vantage X-Series Parts

Stand-On Mower with 60in Deck - Model VTX740EKC60400  
Ground Drive Assembly



All original equipment manufacturers names and part numbers are used for identification purposes only, and we are in no way implying that our products are original equipment parts. Prices subject to change without notice.



# Replaces Exmark Vantage X-Series Parts

Stand-On Mower with 60in Deck - Model VTX740EKC60400  
Ground Drive Assembly



Item No	R&R Part No.	OEM Part No.	Description	Qty Req	Order Quantity
<b>Belts</b>					
20	<b>R114567</b>	114567	Belt- V - Lower Pto	1	
<b>Tires</b>					
30	<b>RTK20508-4TF-I</b>	120-6466	Tire - 20 x 10.50 - 8 (4 Ply) Kenda Super Turf	2	
<b>Other Parts Available</b>					
70	<b>R151377</b>	18-3209	Hub Assy w/Studs - Wheel	2	
71	<b>R10-6870-03</b>	10-6870-03	Hub - Wheel	2	
72	<b>R10-6830</b>	10-6830	Stud - 1/2-20 x 1 3/4	8	
73	<b>R325-11</b>	325-11, 325-9	Bolt - Hex HD 1/2-13 x 2-3/4	8	
74	<b>R93-1622</b>	93-1622	Idler Pulley - Flat 4 in Dia with .375 Bore	1	
75	<b>R323-9</b>	323-9	Bolt - Hex HD 3/8-16 x 1-3/4	1	
76	<b>R323-13</b>	323-13	Bolt - Hex HD 3/8-16 x 2-3/4 GR5	1	
77	<b>R453011</b>	3256-23, 3256-24, 3256-3, 3256-4, 48-9220, 80-7730	Washer - Flat 3/8 SAE Y/Zinc	3	
78	<b>R1-373034</b>	1-373034	Washer - 7/16 HD	1	
79	<b>R104-8301</b>	104-8301, 109-6658	Locknut - 3/8-16 Nylon Flanged	2	
80	<b>R242-50</b>	242-50	Nut - 1/2-20 Wheel	8	

All original equipment manufacturers names and part numbers are used for identification purposes only, and we are in no way implying that our products are original equipment parts. Prices subject to change without notice.