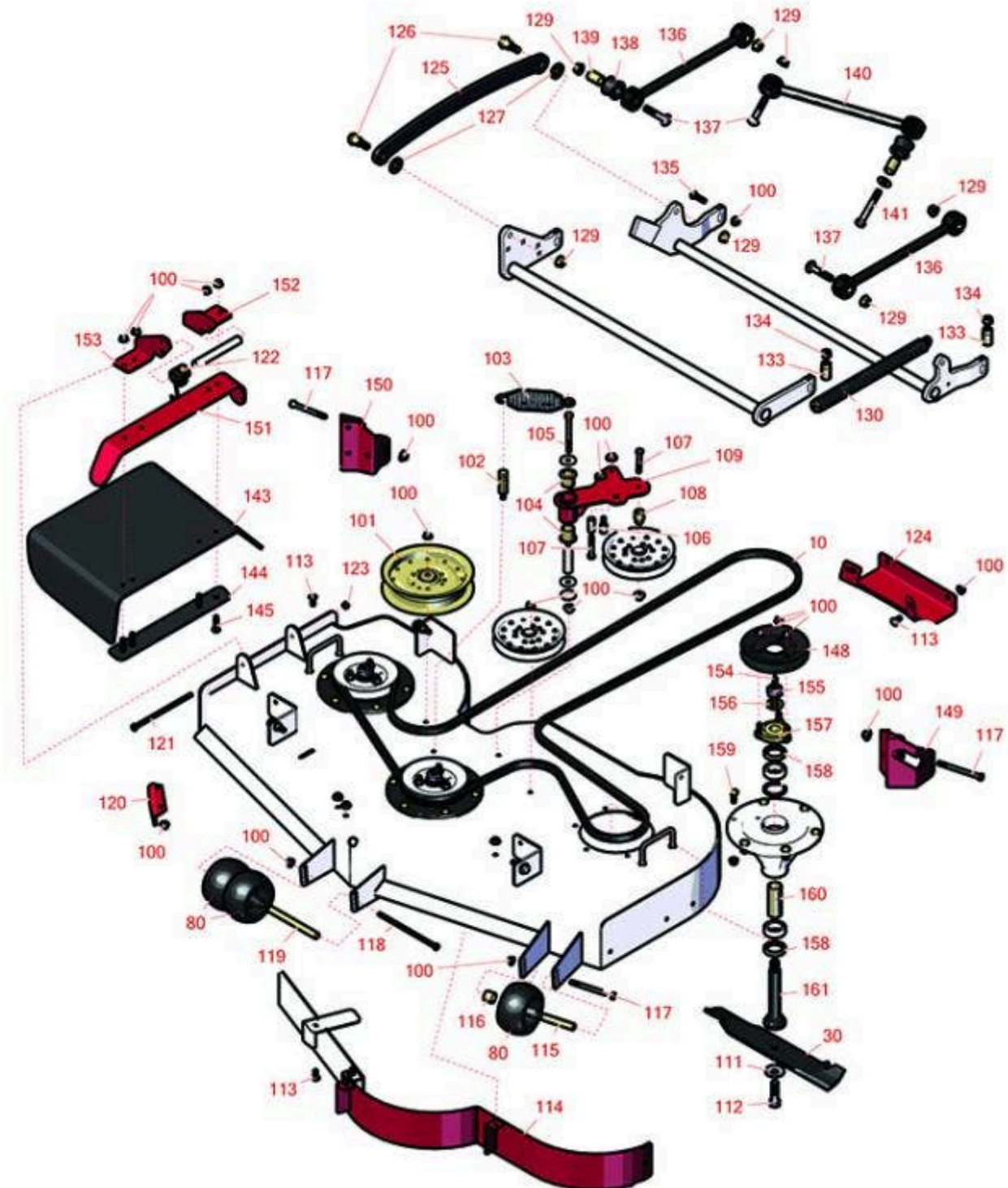




# Replaces Toro Z Master G3 Riding Mower Parts

72in Deck  
Deck Parts



All original equipment manufacturers names and part numbers are used for identification purposes only, and we are in no way implying that our products are original equipment parts. Prices subject to change without notice.



# Replaces Toro Z Master G3 Riding Mower Parts

72in Deck  
Deck Parts



Item No	R&R Part No.	OEM Part No.	Description	Qty Req	Order Quantity
<b>Belts &amp; Pullies</b>					
10	<b>R114-5859</b>	114-5859	Belt- V	1	
<b>Rotary Blades</b>					
30	<b>R105-7784-03</b>	105-7784-03	Mower Blade - 24.5 in High-Flow	3	
<b>Tires &amp; Wheels</b>					
80	<b>R68-2730</b>	1-603299, 68-2730	Wheel - Anti Scalp	3	
<b>Other Parts Available</b>					
100	<b>R104-8301</b>	104-8301, 104-9301, 109-6658, 133-7570	Locknut - 3/8-16 Nylon Flanged	41	
101	<b>R109-8590</b>	109-8590	Pulley - Idler	1	
102	<b>R114-5867</b>	114-5867	Anchor - Spring - Tall	1	
103	<b>R116-6317</b>	116-0133, 116-6317	Spring - Extension	1	
104	<b>R1-303514</b>	1-303514	Bearing - Flanged	2	
105	<b>R98-5961</b>	98-5961	Bolt - 3/8-16 x 4 Hex Head Grade 8	1	
106	<b>R104-0151</b>	104-0151	Spacer	1	
107	<b>R323-11</b>	01-150-1440, 01-178-0618, 20-52-AD, 3224-7, 323-11	Bolt - 3/8-16 x 2 1/4 GR5	2	
108	<b>R112-4212</b>	112-4212	Mount-Pulley	1	
109	<b>R114-5870</b>	114-5870	Idler Arm Assy with Bushings	1	
111	<b>R103-0865</b>	103-0865	Washer - Blade Bolt HD	3	

All original equipment manufacturers names and part numbers are used for identification purposes only, and we are in no way implying that our products are original equipment parts. Prices subject to change without notice.



# Replaces Toro Z Master G3 Riding Mower Parts

72in Deck  
Deck Parts



Item No	R&R Part No.	OEM Part No.	Description	Qty Req	Order Quantity
112	<b>R51-4060</b>	51-4060	Bolt - Blade	3	
113	<b>R3231-27</b>	3231-1, 3231-27	Bolt - Carriage 3/8-16 x 7/8	8	
114	<b>R114-5843-01</b>	114-5843-01	Baffle	1	
115	<b>R98-7912</b>	98-7912	Bushing - Spanner Wheel	1	
116	<b>R98-7913</b>	98-7913	Spacer - Tube	1	
117	<b>R323-23</b>	01-150-0810, 01-178-0636, 20-60-AGD, 323-23	Bolt - Hex HD 3/8-16 x 4-1/2	1	
118	<b>R108-5388</b>	108-5388	Bolt - Hx HD 3/8-16 x 7 1/2	1	
119	<b>R98-5967</b>	98-5967	Spacer-Wheel	1	
120	<b>R106-3216-01</b>	106-3216-01	Baffle - Discharge	1	
121	<b>R322-50</b>	322-50	Bolt - Hx HD 5/16-18 x 7 1/2	1	
122	<b>R108-4052</b>	108-4052	Spring - Torsion	1	
123	<b>R3296-47</b>	3296-47	Locknut - 5/16-18 Jam Nyloc	1	
124	<b>R112-4230-01</b>	112-4230-01	Plate- Skid	1	
125	<b>R116-0797-03</b>	116-0797-03	Link-Lift - Deck	1	
126	<b>R116-2022</b>	116-2022	Shoulder Bolt - Flanged Hex Head	2	
127	<b>R453022</b>	01-166-0480, 01-166-1220, 21-3880, 217-21, 30-8550, 30-9110, 3256-28, 3256-44, 46-9030, Mar-71	Washer - 3/4 SAE	2	

All original equipment manufacturers names and part numbers are used for identification purposes only, and we are in no way implying that our products are original equipment parts. Prices subject to change without notice.



# Replaces Toro Z Master G3 Riding Mower Parts

72in Deck  
Deck Parts



Item No	R&R Part No.	OEM Part No.	Description	Qty Req	Order Quantity
129	<b>R32128-23</b>	32128-23, 3218-23, 99-5107	Nut - Lock Hex Flanged 1/2-13	12	
130	<b>R116-0000</b>	116-0000	Spring - Extension	1	
133	<b>R109-7840</b>	109-7840	Adjuster - Lift - Deck	4	
134	<b>R443818</b>	01-191-0813, 3218-18, 3218-5	Nut - 1/2-13 Hex Jam Zinc	4	
135	<b>R3231-4</b>	01-157-0440, 01-173-0612, 3231-4	Bolt - Carriage 3/8-16 x 1-1/2	2	
136	<b>R109-7952</b>	109-7952	Deck Strut Assy	2	
137	<b>R3233-34</b>	3233-34	Carriage Bolt - 1/2-13 x 2 1/2 Grade 5	3	
138	<b>R109-5009</b>	109-5009	Bushing - Suspension - Rubber	2	
139	<b>R109-5010</b>	109-5010	Spacer	2	
140	<b>R109-5013</b>	109-5013	Panhard Rod Assy	1	
141	<b>R325-17</b>	01-150-0640, 01-150-0850, 01-178-0832, 01-178-0836, 20-97-AGD, 325-17, 325-18, 48-9260	Bolt - Hex Head	1	
143	<b>R151416</b>	108-5029, 110-0759, 151416	Deflector - Long	1	
144	<b>R106-3248-03</b>	106-3248-03	Strap - Discharge	1	

All original equipment manufacturers names and part numbers are used for identification purposes only, and we are in no way implying that our products are original equipment parts. Prices subject to change without notice.



# Replaces Toro Z Master G3 Riding Mower Parts

72in Deck  
Deck Parts



Item No	R&R Part No.	OEM Part No.	Description	Qty Req	Order Quantity
145	<b>R3231-25</b>	01-173-0610, 30-9970, 3231-25, 3231-3, 900064P	Bolt - Carriage 3/8-16 x 1-1/4	4	
148	<b>R105-7733</b>	105-7733	Pulley - 9.25 in Dia with 1.75 Bore	3	
149	<b>R106-7354-01</b>	106-7354-01	Mount - Wheel - LH	1	
150	<b>R106-7355-01</b>	106-7355-01	Mount - Wheel - RH	1	
151	<b>R106-3246-01</b>	106-3246-01	Deflector	1	
152	<b>R108-4059-01</b>	108-4059-01, 108-7767-03	Plate-Hinge, Rear	1	
153	<b>R106-3253-01</b>	106-3253-01, 108-7766-03	Plate-Hinge, Front	1	
154	<b>R471219</b>	30-8360, 302-2, 302-24, 302-31, 302-52	Zerk - Grease	1	
155	<b>R3296-67</b>	3296-67	Locknut - 3/4-16 Heavy Jam RH Thread	1	
156	<b>R92-5836</b>	92-5836	Flat Washer - Hardened	1	
157	<b>R117-6172</b>	117-6172	Spindle Hub Assy w/Studs	1	
158	<b>R253-133</b>	253-133	Seal - Oil	2	
159	<b>R114-8195</b>	114-8195, R & R ONLY	Bolt- Ribbed Neck	6	
160	<b>R117-6185</b>	117-6185	Spacer Set	1	
161	<b>R119-8527</b>	119-1851, 119-8527	Spindle Shaft and Zerk Assy	1	

All original equipment manufacturers names and part numbers are used for identification purposes only, and we are in no way implying that our products are original equipment parts. Prices subject to change without notice.