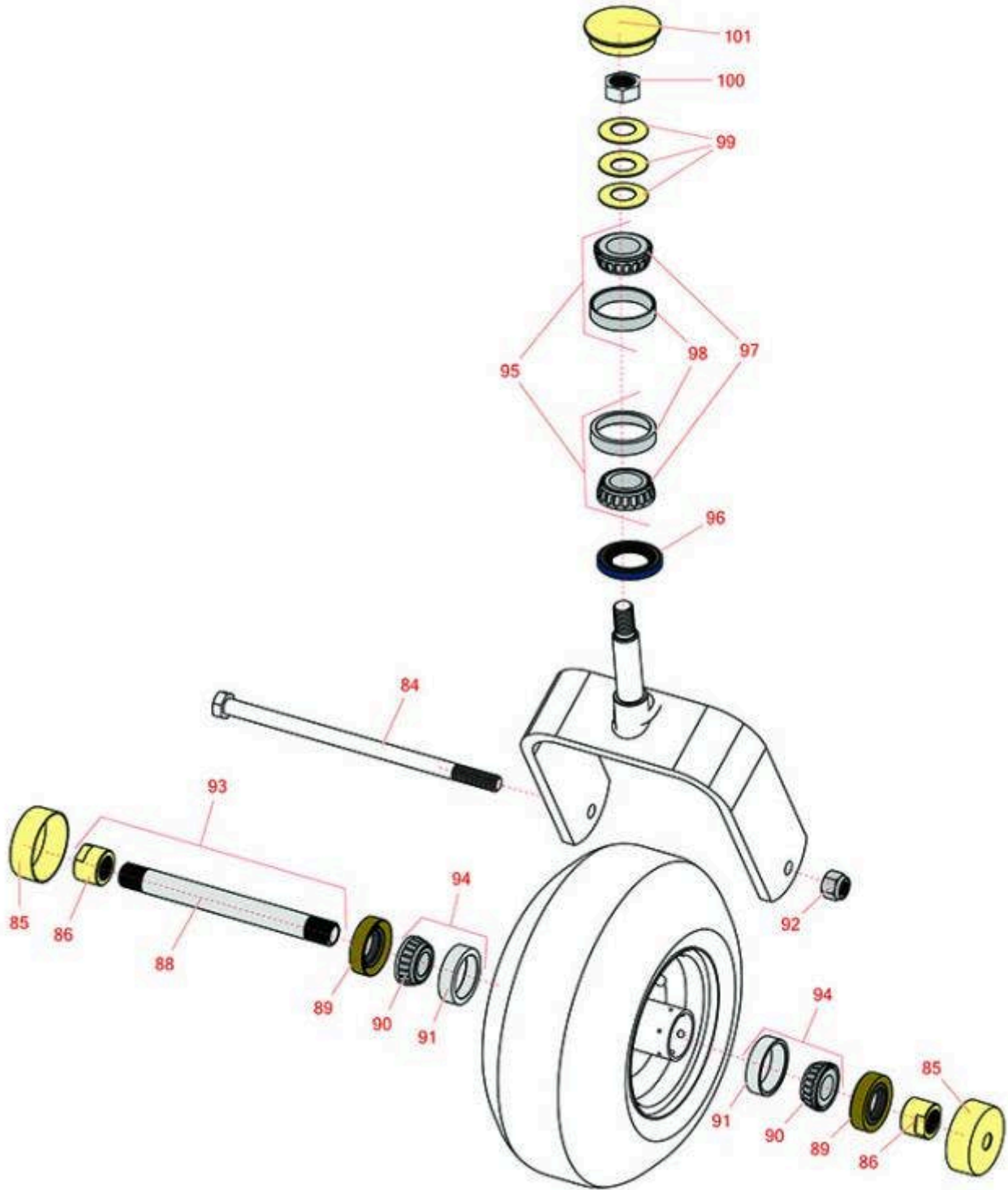




# Replaces Exmark Lazer Z DS-Series Parts

Zero-Turn Mower with 72in Deck - Model LZS902DKU72R00  
Caster Wheel



All original equipment manufacturers names and part numbers are used for identification purposes only, and we are in no way implying that our products are original equipment parts. Prices subject to change without notice.



# Replaces Exmark Lazer Z DS-Series Parts

Zero-Turn Mower with 72in Deck - Model LZS902DKU72R00  
Caster Wheel



Item No	R&R Part No.	OEM Part No.	Description	Qty Req	Order Quantity
<b>Other parts</b>					
84	<b>R325-39</b>	325-39	Bolt - Hx HD 1/2-13 x 9 1/2	2	
85	<b>R103-2768</b>	103-2768	Guard - Seal	4	
86	<b>R103-3051</b>	103-3051	Spacer - Nut - Hardened	4	
88	<b>R103-5156</b>	103-5156	Axle- Caster	2	
89	<b>R103-0063</b>	103-0063	Seal - Grease	4	
90	<b>R254-78</b>	1-633585	Tapered Bearing Cone	4	
91	<b>R254-79</b>	1-633584, R & R ONLY	Cup - Bearing	4	
<i>Tech Note: Use R254-79M installation mandrel to properly install race.:</i>					
92	<b>RF5003</b>	3296-23	Locknut - ESNA 1/2-13	2	
93	<b>R126-5361</b>	126-5361	Axle Assy - with Bushing - Caster	2	
94	<b>R500534</b>	1-633585, R & R ONLY	Bearing - with Cup	4	
95	<b>R500596</b>	R & R ONLY	Tapered Bearing Set - Cup and Cone	4	
96	<b>R116-5647</b>	116-5647, R & R ONLY	Seal - Grease	2	
97	<b>R254-94</b>	1-543509	Tapered Bearing Cone	4	
98	<b>R254-72</b>	1-543508	Cup - Bearing	4	
99	<b>R1-633508</b>	1-633508	Washer - Spring Disc	6	
100	<b>R3296-51</b>	3296-51	Nut - Nylon Lock 3/4-10 Gr 8	2	
101	<b>R103-4882</b>	103-4882	Grease Cap - Castor	2	

All original equipment manufacturers names and part numbers are used for identification purposes only, and we are in no way implying that our products are original equipment parts. Prices subject to change without notice.