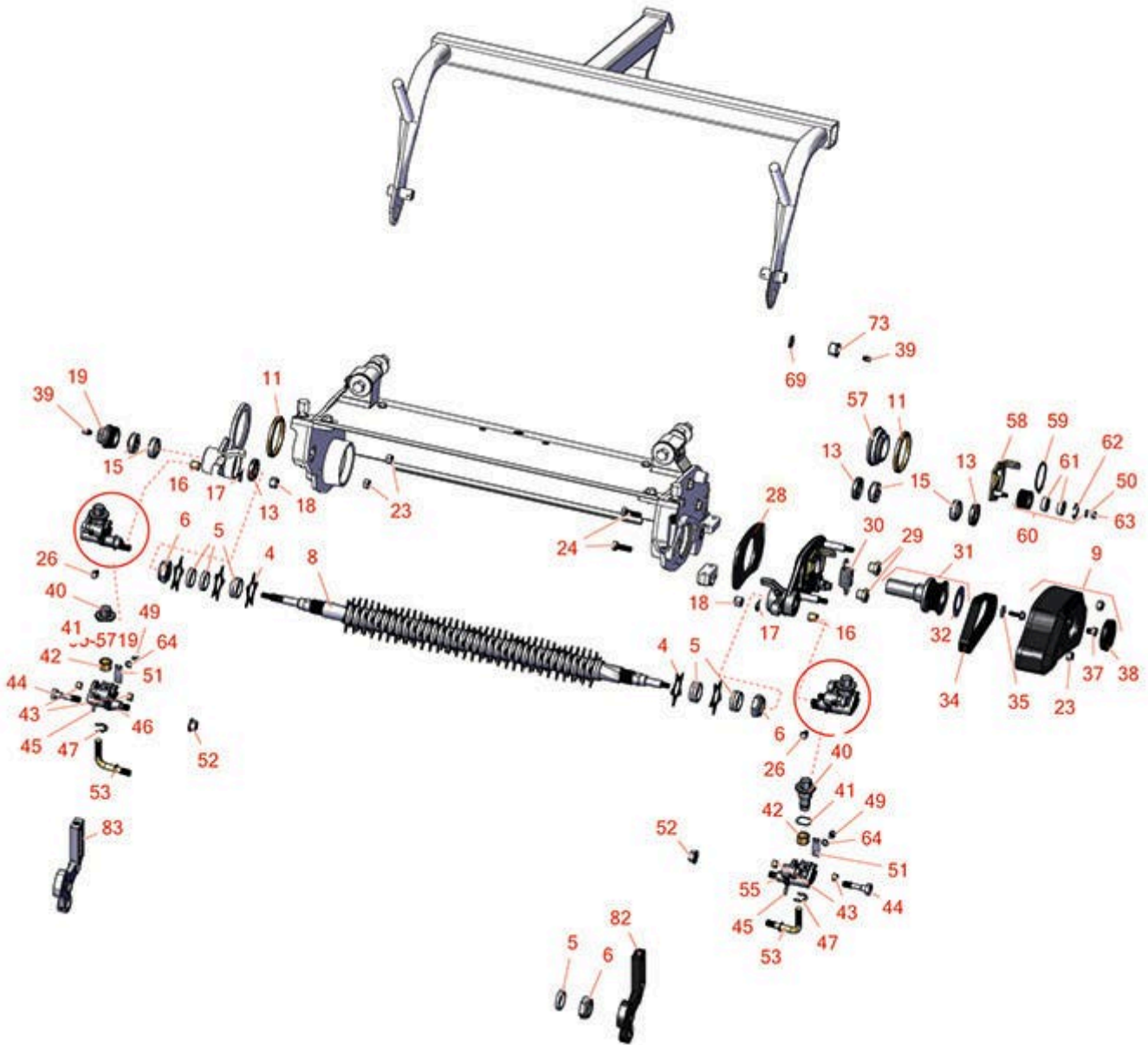




# Replaces Toro Greensmaster 3050 Parts

DPA Cutting Unit - Models 04610, 04611 & 04616  
Groomer - Model 04633



All original equipment manufacturers names and part numbers are used for identification purposes only, and we are in no way implying that our products are original equipment parts. Prices subject to change without notice.



# Replaces Toro Greensmaster 3050 Parts

DPA Cutting Unit - Models 04610, 04611 & 04616

Groomer - Model 04633



Item No	R&R Part No.	OEM Part No.	Description	Qty Req	Order Quantity
<b>Blades</b>					
4	<b>R110-2333</b>	110-2333	Groomer Blade - Helix .028 Thick	42	
<b>Other Parts Available</b>					
5	<b>R70-1350</b>	70-1350	Spacer - 1/4 Fits Groomer Shaft	84	
6	<b>R32127-46</b>	32127-46, 3296-60	Locknut	2	
8	<b>R110-2338</b>	110-2338	Shaft Assy - Groomer	1	
9	<b>R106-8542</b>	106-8542	LH Drive Cover Assy	1	
11	<b>R106-8527</b>	106-8527	Bushing	2	
13	<b>R106-8530</b>	106-8530	Seal - Oil	3	
15	<b>R107-8105</b>	106-8520, 107-8105	Bearing-Ball - Extended	4	
16	<b>R256-2</b>	256-2	Bushing - Idler Pulley	2	
17	<b>R3290-301</b>	3290-301	Washer - Spring Wave	2	
18	<b>R3296-5</b>	3296-5	Locknut - 3/8-24 Jam Nylon	2	
19	<b>R106-8529</b>	106-8529	Plug-Cap	1	
23	<b>R33024-00</b>	33024-00	Locknut - 8mm x 1.25	2	
24	<b>R57-6380</b>	33114-025, 48-9460, 60-4540	Bolt - Hex HD M8-1.25 x 25	2	
26	<b>R48-7610</b>	33113-012, 48-7610	Bolt - Hex HD Nyloc M6 x 12	2	
28	<b>R106-8463</b>	106-8463	Shim-Groomer	1	
29	<b>R105-5770</b>	105-5770	Nut - Shoulder	2	

All original equipment manufacturers names and part numbers are used for identification purposes only, and we are in no way implying that our products are original equipment parts. Prices subject to change without notice.



# Replaces Toro Greensmaster 3050 Parts

DPA Cutting Unit - Models 04610, 04611 & 04616

Groomer - Model 04633



Item No	R&R Part No.	OEM Part No.	Description	Qty Req	Order Quantity
30	<b>R110-1700</b>	110-1700, 66-4460	Spring-Extension	1	
31	<b>R106-8540</b>	106-8540	Pulley Assy	1	
32	<b>R106-8521</b>	106-8521	Decal-Warning	1	
34	<b>R104-4705</b>	104-4705, 120-2763	Belt - Groomer	1	
35	<b>R105-5769</b>	105-5769	Washer	1	
36	<b>R33103-020</b>	33103-020	Bolt - Hex Washer M6-1.0 x 20	1	
37	<b>R33114-010</b>	33114-010	Bolt - Hex HD M8-1.25 x 10	1	
38	<b>R105-5761</b>	105-5761	Grommet	1	
39	<b>R302-5</b>	21-6010, 302-11, 302-37, 302-47, 302-5, 302-57, 302-58, 302-6, 31-0300, 32-9660, 60-0800, 62-3880, 92-4181	Fitting - Grease	4	
40	<b>R106-8482</b>	106-8482	Adjuster-Groomer	2	
41	<b>R107-8107</b>	106-8490, 107-8107	Washer - Wave	2	
42	<b>R256-42</b>	256-42	Bushing	2	
43	<b>R106-8489</b>	106-8489	Bushing-Sleeve	4	
44	<b>R106-8528</b>	106-8528	Screw - Lock	2	
45	<b>R104-9312</b>	104-9312	Pin - Grooved	2	

All original equipment manufacturers names and part numbers are used for identification purposes only, and we are in no way implying that our products are original equipment parts. Prices subject to change without notice.



# Replaces Toro Greensmaster 3050 Parts

DPA Cutting Unit - Models 04610, 04611 & 04616

Groomer - Model 04633



Item No	R&R Part No.	OEM Part No.	Description	Qty Req	Order Quantity
46	<b>R106-8535</b>	106-8535	RH Lift Arm Assy	1	
47	<b>R32120-19</b>	32120-19, 32120-81	E-Ring	2	
49	<b>R33113-008</b>	33113-008	Bolt - Hex HD M6-1.0 x 8	2	
50	<b>R43-5930</b>	01-176-0030, 43-5930	Washer - Lock M6	1	
51	<b>R104-4754</b>	104-4754	Spring-Detent	2	
52	<b>R14M7296</b>	104-2611	Nut - 10mm x 1.5 Flanged	2	
53	<b>R106-8491</b>	106-8491	Rod-Lift, Groomer	0	
55	<b>R106-8536</b>	106-8536	LH Lift Arm Assy	1	
57	<b>R106-8471</b>	106-8471	Hub-Pivot	1	
58	<b>R106-8470</b>	106-8470	LH Idler Assy	1	
59	<b>R106-2646</b>	106-2646	Ring - Retaining, Bo	1	
60	<b>R106-2630</b>	106-2630	Idler Bearing Assy	1	
61	<b>R251-259</b>	251-259, 251-307	Bearing - Ball	2	
62	<b>R104-4727</b>	104-4727	Ring - Retaining	1	
63	<b>R33023-00</b>	33023-00, 48-7900, 49-7810	Locknut - ESNA 6mm x 1.0	1	
64	<b>R24M7139</b>	24M7139, 3256-16, 33093-00, 43-5930	Washer - Flat 6mm	1	

All original equipment manufacturers names and part numbers are used for identification purposes only, and we are in no way implying that our products are original equipment parts. Prices subject to change without notice.



# Replaces Toro Greensmaster 3050 Parts

DPA Cutting Unit - Models 04610, 04611 & 04616

Groomer - Model 04633



Item No	R&R Part No.	OEM Part No.	Description	Qty Req	Order Quantity
69	<b>R453011</b>	01-166-0100, 01-166-0120, 01-166-0270, 01-166-0500, 01-166-0600, 01-166-0620, 132-4593, 2356-3, 237-12, 24-10-AD, 24-11-AD, 24-11-BD, 24-12-AD, 24-12-BD, 30-9310, 32-8190, 3256-24, 3256-3, 3256-36, 3256-4, 453011, 47-9950, 48-9220, 513458, 7-0052	Washer - Flat 3/8 SAE Y/Zinc	2	
73	<b>R256-292</b>	104-7738, 256-292	Bushing - Nyliner Bed Bar	2	
82	<b>R106-8513</b>	106-8513	Arm-Groomer, HOC (LH)	1	
83	<b>R106-8511</b>	106-8511	Arm-Groomer, HOC (RH)	1	

All original equipment manufacturers names and part numbers are used for identification purposes only, and we are in no way implying that our products are original equipment parts. Prices subject to change without notice.