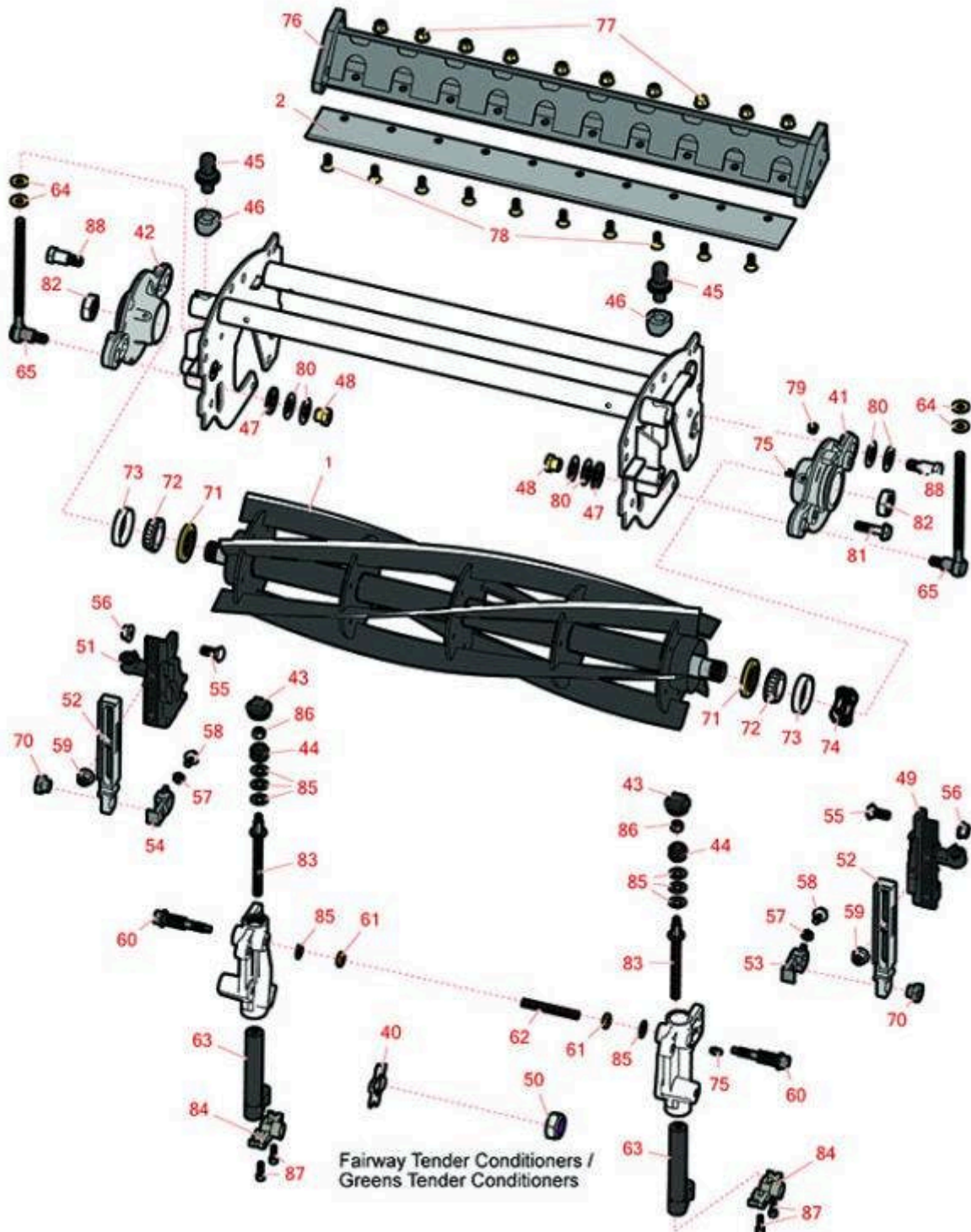




Replaces John Deere 7200A Reel Mower

Parts

26in Cutting Unit
Reel & Bedknife



All original equipment manufacturers names and part numbers are used for identification purposes only, and we are in no way implying that our products are original equipment parts. Prices subject to change without notice.



Replaces John Deere 7200A Reel Mower Parts

26in Cutting Unit
Reel & Bedknife



Item No	R&R Part No.	OEM Part No.	Description	Qty Req	Order Quantity
---------	--------------	--------------	-------------	---------	----------------

R&R Reels, Lifetime Guaranteed

1	RTCA19355	TCA19355	Reel - 5 Blade 26 in	1
---	------------------	----------	----------------------	---

Detail Description: R&R Reel blades are expertly crafted from premium high carbon-boron alloy steel, heat-treated to perfectly complement both R&R and OEM bedknives. Each reel undergoes precision cylindrical grinding on bearing surfaces, followed by relief grinding for optimal performance. Advanced computer balancing ensures extended reel and bearing life. Backed by our lifetime guarantee against defects in materials and craftsmanship under normal use, R&R Reels deliver unmatched durability and cutting precision you can trust.:

1	RTCA19356	TCA19356	Reel - 8 Blade 26 in	1
---	------------------	----------	----------------------	---

Detail Description: R&R Reel blades are expertly crafted from premium high carbon-boron alloy steel, heat-treated to perfectly complement both R&R and OEM bedknives. Each reel undergoes precision cylindrical grinding on bearing surfaces, followed by relief grinding for optimal performance. Advanced computer balancing ensures extended reel and bearing life. Backed by our lifetime guarantee against defects in materials and craftsmanship under normal use, R&R Reels deliver unmatched durability and cutting precision you can trust.:

R&R Bedknives, Lifetime Guaranteed

2	RMT2396	MT2396, MT6949	Bedknife - 26 in Low Cut 10 Hole	1
---	----------------	-------------------	----------------------------------	---

Detail Description: R&R Bedknives are manufactured from high carbon-boron alloy steel and then hardened to RC46-49 to match the temper of our reel blades and original equipment reels. Bedknives are surface ground on the top and front edge and straightened three times before being packaged with oil for rust prevention. All R&R Bedknives now have an increased front edge grind for added life. All R&R Bedknives are guaranteed against defects in material and workmanship under normal use for the life of the part.:

2	RET17752	ET17752	Bedknife - 26 in 10 Hole	1
---	-----------------	---------	--------------------------	---

Detail Description: R&R Bedknives are manufactured from high carbon-boron alloy steel and then hardened to RC46-49 to match the temper of our reel blades and original equipment reels. Bedknives are surface ground on the top and front edge and straightened three times before being packaged with oil for rust prevention. All R&R Bedknives now have an increased front edge grind for added life. All R&R Bedknives are guaranteed against defects in material and workmanship under normal use for the life of the part.:

Other Parts Available

40	RMT2624	MT2624	Knife - Greens Conditioner	46
----	----------------	--------	----------------------------	----

All original equipment manufacturers names and part numbers are used for identification purposes only, and we are in no way implying that our products are original equipment parts. Prices subject to change without notice.



Replaces John Deere 7200A Reel Mower

Parts

26in Cutting Unit
Reel & Bedknife



Item No	R&R Part No.	OEM Part No.	Description	Qty Req	Order Quantity
41	RUC13937	UC13937	Housing - w/o Bearing - LH	1	
42	RUC13941	UC13941	Housing - w/o Bearing - RH	1	
43	RUC16102	TCU24949, UC16102	Cap	2	
44	RTC40491	TCU24683, TCU40491	Worm Gear	2	
45	RUC16137	TCU24955, UC16137	Adjuster	2	
46	RTC25394	TCU25394, TCU27453	Base	2	
47	RTC25260	TCU25260	Washer	2	
48	RET16572	ET16572	Nut - Hex	2	
49	RUC16138	UC16138	Bracket - Front LH	1	
50	RN198341	N198341	Nut - Nyloc 7/8-14	1	
51	RUC16139	UC16139	Bracket - Front RH	1	
52	RUC22790	UC22790	Bracket - Front Roller	2	
53	RUC18211	TCU24461, UC18211	Bracket - LH	1	
54	RUC16109	TCU24461, UC16109	Bracket - RH	1	
55	R03M7191	03M7191	Bolt - Carriage M10 x 25	4	
56	RH135891	H135891	Locknut - 10mm x 1.5 Flanged 10.9	4	
<i>Detail Description: High Strength:</i>					
57	R14M7151	14M7151	Nut - Jam Roller Adj	2	

All original equipment manufacturers names and part numbers are used for identification purposes only, and we are in no way implying that our products are original equipment parts. Prices subject to change without notice.



Replaces John Deere 7200A Reel Mower

Parts

26in Cutting Unit
Reel & Bedknife



Item No	R&R Part No.	OEM Part No.	Description	Qty Req	Order Quantity
58	R33114-016	19M7162	Bolt - Hx HD 8mm x 1.25 x 15	2	
59	R14M7465	14M7465	Lock Nut - M10-1.50 Fl	4	
60	RTC26458	TCU26458	Worm Gear	2	
61	R14M7152	14M7152	Nut - 10mm x 1.5 Jam	2	
62	RTC25398	TCU25398	Compression Spring	2	
63	RAUC13597	AUC13597	Adjuster	2	
64	R24H1682	24H1682	Washer - 13/32 x 7/8 x 1/8	4	
65	RTC25317	TCU25317	Adjuster	2	
70	RTC28635	TCU24555, TCU28635	Eccentric	2	
71	RTC25266	TCU25266	Seal	2	
72	R254-94	JD8933, TCU37582	Tapered Bearing Cone	2	
73	R254-72	JD8253	Cup - Bearing	2	
74	R170610	TCU26530	Spring - Compression	2	
75	R302-5	JD7797, JD7842, JD7844	Fitting - Grease	1	
76	RAET11303	AET11303	Backing Bar - 26 Bedknife	1	
77	R14M7396	14M7396	Locknut - Flanged Nyloc	10	
78	R19M7573	19M7573	Screw - Bedknife M8-1.25 x 20	10	
79	R170714	E14814	Fitting - Pressure Relief	2	
80	RET16678	ET16678	Washer - Spring	8	

All original equipment manufacturers names and part numbers are used for identification purposes only, and we are in no way implying that our products are original equipment parts. Prices subject to change without notice.



Replaces John Deere 7200A Reel Mower Parts

26in Cutting Unit
Reel & Bedknife



Item No	R&R Part No.	OEM Part No.	Description	Qty Req	Order Quantity
81	R19M7804	19M7804	Bolt - Flanged Hex M10-1.5 x 40	2	
82	RTC26215	TCU26215	Nut - Reel	2	
83	RTC26123	TCU26123	Adjuster	2	
84	RTC28987	TCU25228, TCU28987	Half Clamp - Roller Bkt	2	
85	RET16679	ET16679	Washer - Spring	6	
86	RM148268	M148268	Lock Nut	2	
87	R19M8627	19M7603, 19M8627	Screw - M6 x 20	4	
88	RMT6338	MT6338	Bolt - Shoulder	2	

All original equipment manufacturers names and part numbers are used for identification purposes only, and we are in no way implying that our products are original equipment parts. Prices subject to change without notice.